



Security Tech Germany

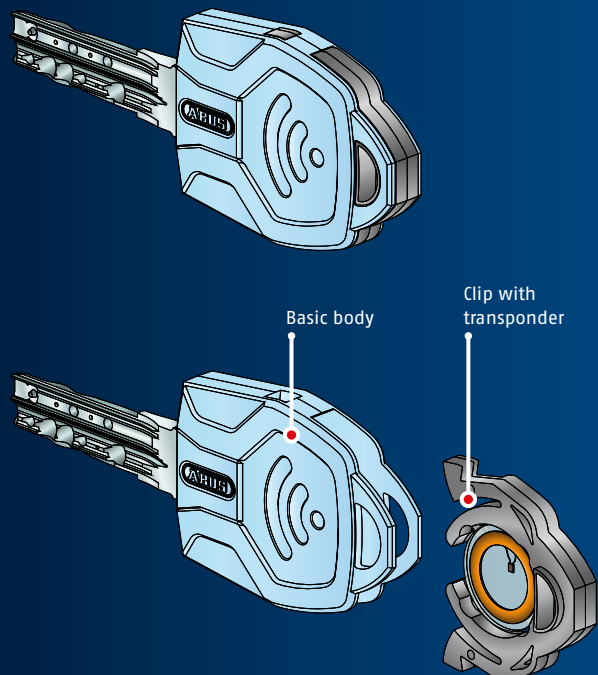


Security Tech Germany



Security Tech Germany

2 key caps for all locking systems

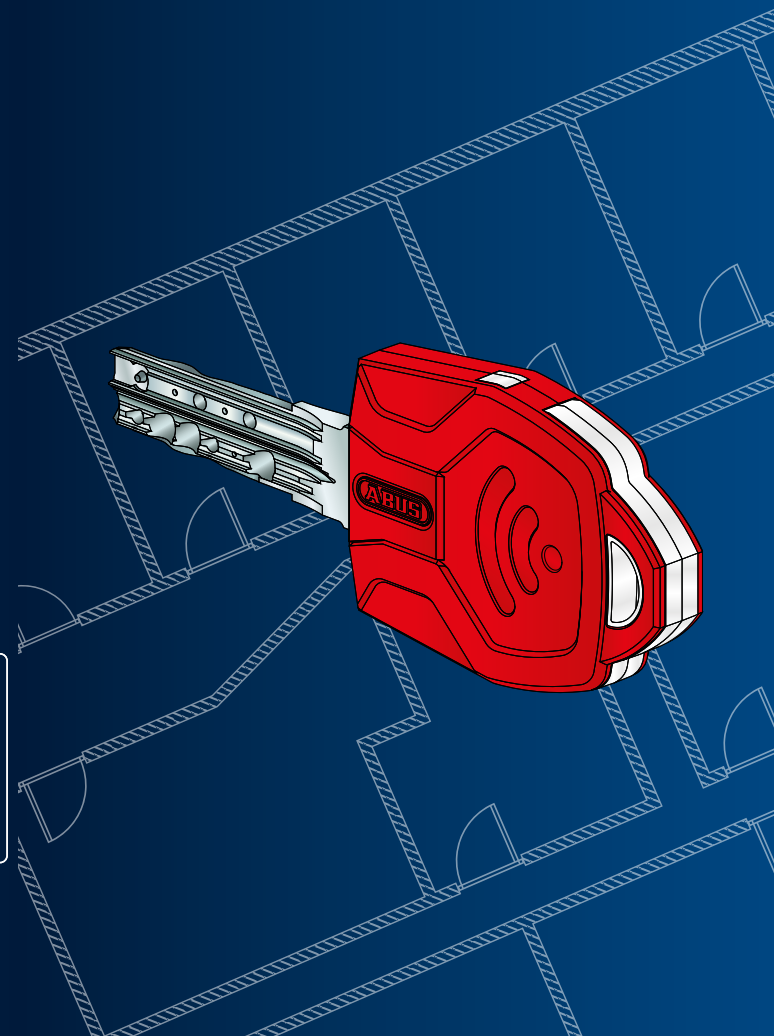


Retrofittable: Combi Cap

Ex works: Skuni Cap

ABUS locking systems NEW: Combi Cap

Perfect interaction between mechanics and electronics in one master key system



Facts Combi Cap

- Retrofittable key cap for all mechanical keys of ABUS locking systems
- It's possible to extend mechanical locking systems with electronic components
- Contains up to two transponders for different electronic functions, e.g. access control and pay terminals
- Numbering on the basic body
- Available in 64 combinations of colours



05/2015
WRBFL54

One key for the entire building

Locking. Recording. Activating.

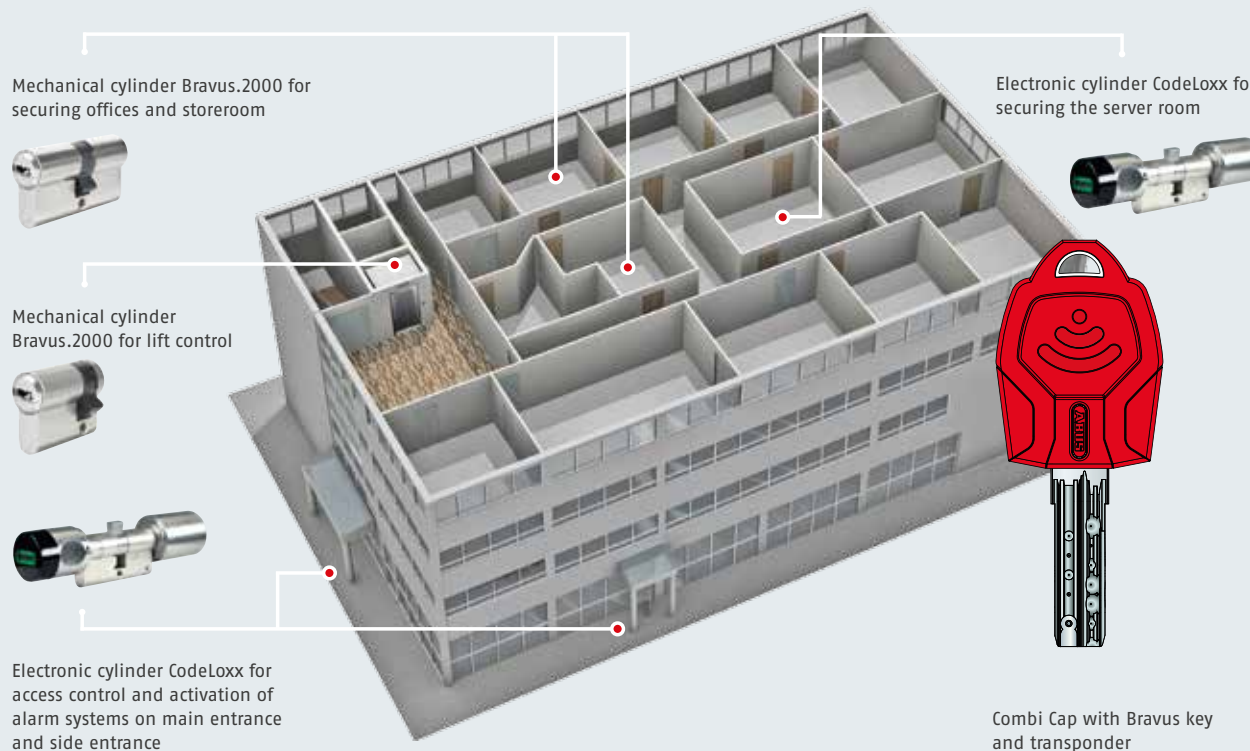
With the new ABUS Combi Cap mechanic and electronic cylinders can be combined in one locking system and opened by one medium. At the same time the key caps allow the control of further electronic systems like for example barriers, alarm systems or time recording and pay terminals.

Retrofittable.

The Combi Cap can be fitted easily and safely on each mechanical key of ABUS locking systems. Up to two transponders can be integrated into the Combi Cap. Therefore, it is possible to extend existent mechanical locking systems with electronic components at any time.

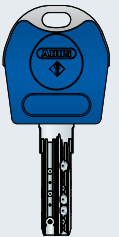
Connecting strengths.

The Combi Cap as well as the Skuni Cap can combine the strengths of mechanical and electronic systems in one locking system. The modular style of the CodeLoxx cylinder and his flexibility are unique today. The patented Intellitec system within the new mechanical systems Bravus and Y14 Deltus guarantees highest security thanks to a unique combination of patent protection until 2030*, unlimited trademark protection and highest technical copy protection.



Skuni Cap.

Mechanical locking systems can also be delivered as usual with Skuni Caps on the keys ex works. These combi keys can control mechanical cylinders as well as electronic components.



Function and design.

Another advantage of the Combi Cap apart from its easy assembly and wide application is its strong design. The basic body and the clip are available in eight different fashionable colours and therefore in 64 colour combinations. The Skuni Cap is also available in 36 colour combinations.

* European patent pending, max. patent term 2030